

Parameter Table

Electrical Specifications

Model	AOK-FLW20	AOK-FLW35	AOK-FLW50	AOK-FLW60	AOK-FLW70	AOK-FLW100	AOK-FLW150	AOK-FLW200	AOK-FLW240	AOK-FLW280
Power(W)	20	35	50	60	70	100	150	200	240	280
Input voltage	100-277VAC									
PF	≥0.90	≥0.90	≥0.90	≥0.90	≥0.95	≥0.95	≥0.95	≥0.95	≥0.95	≥0.95
Driver Efficiency	≥86%	≥86%	≥86%	≥88%	≥89%	≥90%	≥93%	≥93%	≥94%	≥94%
Maximum Current	AC0.23 A	AC0.34 A	AC0.56 A	AC0.67 A	AC0.78 A	AC1.1 A	AC1.68 A	AC2.24 A	AC2.7 A	AC3.15 A
Control option	Driver includes wiring for 0-10V dimming systems. Dim as low as 10%.									
Operating temperature	-40°C to 50°C (-40 °F to 122 °F)					-40°C to 40°C (-40 °F to 104 °F)				
Surge Protection	4KV SPD optional					10KV SPD optional				

Photometric Specifications

Efficacy (LM/W)	140	145	140	140	140	140	140	140	150	145
Luminous flux(LM)@CRI 70Ra, 4000K	2500	5000	7000	8400	9800	14000	21000	28000	35000	40000
CCT	3000K, 4000K, 5000K									
CRI	70Ra, 80Ra									
LED model	2835									
Lens	Polycarbonate									
Beam angle	7H*7V (130°*130°)									

Mechanical Specifications

IP/IK	IP66/IK09, according to standard EN 60529 and EN 62262									
Housing	Heavy-duty die-cast aluminum (EN AC-46100)									
Heat Radiator	Aluminum alloy									
Surface treatment	Anti-UV thermosetting polyester / Anti-UV thermosetting polyester (for extremely corrosive environments).									
Painting	Black, Custom request									
Cable	Pre-wired with a 30 cm cable (Other lengths on request)									
Mounting	Knuckle/ Trunnion					Slipfitter/Yoke				

Package Info

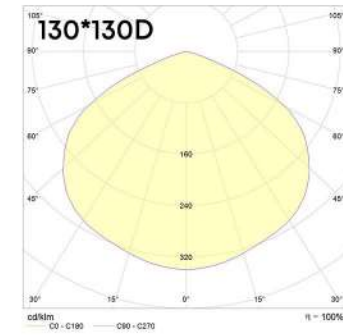
Product Size	Knuckle/Slipfitter	9.53*8.64*2.5 inches / 242*219.5*63.5mm	10.69*9.54*2.58 inches / 271.5*242.4*65.5mm	13.42*15.41*2.62 inches / 340.8*391.4*66.5mm	15.39*16.63*2.93 inches / 390.8*422.4*74.5mm	20.83*19.62*3.07 inches / 529*498.3*78mm
		Trunnion/Yoke	10.12*8.45*2.5 inches / 256.5*214.8*63.5mm	11.28*8.94*2.58 inches / 286.5*227.2*65.5mm	13.42*12.18*2.62 inches / 340.8*309.4*66.5mm	15.39*13.4*2.93 inches / 390.8*340.4*74.5mm
Net Weight	Knuckle/Slipfitter	1.2KG	1.8KG	3.9KG	4.9KG	7.4KG
	Trunnion/Yoke	1.6KG	2.2KG	3.6KG	4.5KG	7.0KG
Carton Size	Knuckle/Slipfitter	11.61*11.22*3.15inches / 295*285*80mm	12.2*11.42*3.15inches / 310*290*80mm	16.1*18.1*4.13 inches / 410*460*105mm	18.5*19.69*4.13 inches / 470*500*105mm	24.61*23.07*5.12 inches / 625*586*130mm
	Trunnion/Yoke	11.61*11.22*3.15inches / 295*285*80mm	12.2*11.42*3.15inches / 310*290*80mm	16.1*14.57*3.35 inches / 410*370*85mm	18.5*16.5*3.82 inches / 470*420*97mm	24.61*19.88*4.72 inches / 625*505*120mm
Gross Weight	Knuckle/Slipfitter	1.8KG	2.4KG	4.9KG	6.1KG	8.8KG
	Trunnion/Yoke	2.2KG	2.8KG	4.5KG	5.7KG	7.4KG

Ordering Information

AOK-	WATTS	VOLTAGE	LED CHIPS	TYPE OF SENSOR	CCT&CRI	DISTRIBUTION	MOUNT	COLOR
FLW20	NV=100-277V	L2=LUMILEDS 2385	00=NONE	XX70=3000K-5000K 70CRI	130=130*130D	K=Knuckle*	BK=Black	
FLW35			DV=Dimmable	XX80=3000K-5000K 80CRI		T=Trunnion*	Custom request	
FLW50						SF=Slipfitter*		
FLW60						Y=Yoke*		
FLW70								
FLW100								
FLW150								
FLW200								
FLW240								
FLW280								

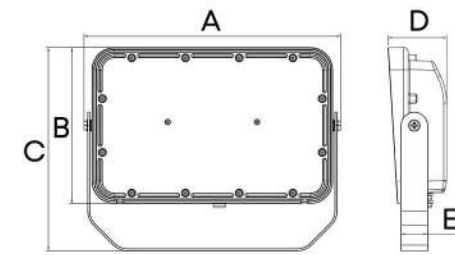
* Knuckle and Trunnion is for 20W-60W, Slipfitter and Yoke is for 70W-280W. XX70/XX80, 'XX' stands for adjustable CCT.

Photometrics



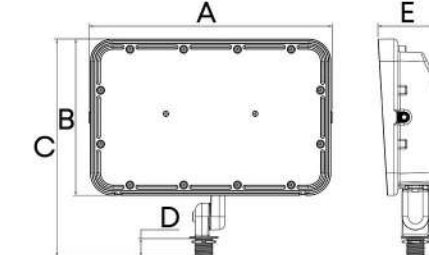
Dimension

20W-60W Trunnion Mount



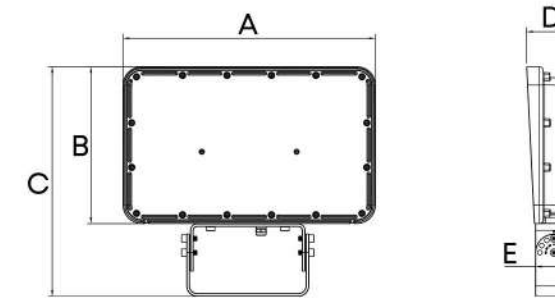
A	B	C	D	E
20W-35W (Trunnion Mount)				
256.50mm (10.10")	149.50mm (5.89")	214.75mm (8.45")	63.50mm (2.50")	30.00mm (1.18")
50W-60W (Trunnion Mount)				
286.50mm (11.28")	174.32mm (6.86")	227.20mm (8.94")	65.50mm (2.58")	30.00mm (1.18")

20W-60W Knuckle Mount



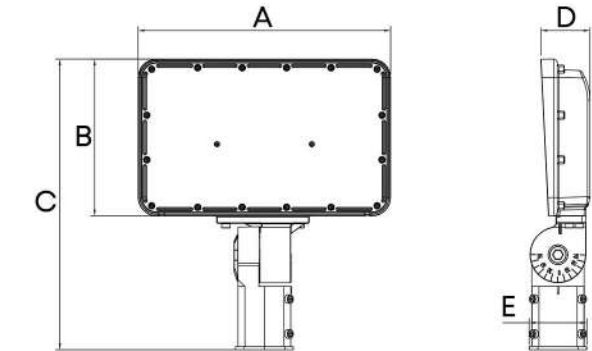
A	B	C	D	E
20W-35W (Knuckle Mount)				
242.00mm (9.41")	149.50mm (5.89")	219.49mm (8.64")	20mm (0.79")	63.50mm (2.50")
50W-60W (Knuckle Mount)				
271.50mm (10.69")	174.32mm (6.86")	242.40mm (9.54")	20mm (0.79")	65.50mm (2.58")

70W-280W Yoke Mount



A	B	C	D	E
70W-100W (Yoke Mount)				
340.82mm (13.42")	211.32mm (8.32")	309.41mm (12.18")	66.50mm (2.62")	50.00mm (1.97")
150W-200W (Yoke Mount)				
390.82mm (15.39")	242.32mm (9.54")	340.41mm (13.40")	74.46mm (2.93")	50.00mm (1.97")
240W-280W (Yoke Mount)				
529.00mm (20.83")	328.00mm (12.91")	426.00mm (16.77")	78.00mm (3.07")	50.00mm (1.97")

70W-280W Slipfitter Mount



A	B	C	D	E
70W-100W (Slipfitter Mount)				
340.80mm (13.42")	211.32mm (8.32")	391.40mm (15.41")	66.50mm (2.62")	78.00mm (3.07")
150W-200W (Slipfitter Mount)				
390.82mm (15.39")	242.32mm (9.54")	422.36mm (16.63")	74.46mm (2.93")	78.00mm (3.07")
240W-280W (Slipfitter Mount)				
529.00mm (20.83")	328.00mm (12.91")	507.95mm (20.00")	78.00mm (3.07")	78.00mm (3.07")

FLW-Wombat Series Specification Sheet

*Due to the constant improvements in product development, individual parameters might change. Please refer to our sales or R&D team for most up-to-date content as specifications are subject to change without notice.

wally@ookledlight.com

+1 626-986-4050 (US)

+86 755 2357 9148 (CN)

@2021 AOK LED LIGHT CO., LTD. All Right Reserved.



Installation Guide (20W-60W)

1. Connect the municipal wire in the NPS screw with the lamp input wire, as shown in Figure-4.
2. Plug the input cable into the screw, tighten it and make the seals waterproof.
3. Loosen the M5*26mm screw and turn the bracket to adjust the required angle. The installation position of the vertical aiming display is tightened.
4. Please find a professional electrician for installation.

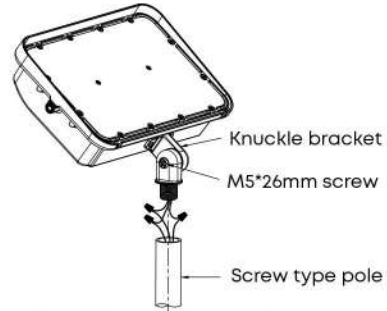


Figure-1 (Knuckle with screw type pole)

1. Connect the municipal wire in the junction box with the lamp input wire, as shown in Figure 4.
2. Align the Knuckle bracket with the 1/2" NPS hole on the junction box, tighten it and make the seals waterproof.
3. Loosen the M5*26mm screw and turn the bracket to adjust the required angle. The installation position of the vertical aiming display is tightened.
4. Please find a professional electrician for installation.

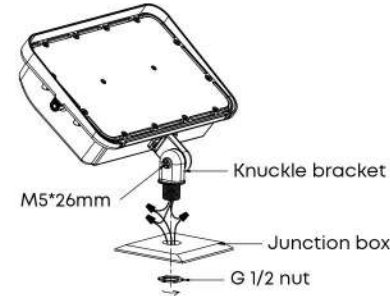


Figure-2 (Knuckle with junction box)

1. Fix the Trunnion bracket on the wall or lamp, then punch the mounting holes.
2. Connect the cable of the lamp to the municipal wire, as shown in Figure-4, then make the seals waterproof.
3. Tighten the Trunnion bracket screw.
4. Loosen the lock nut, turn the lamp to the required angle, then tighten the pivot bolt.
5. Please find a professional electrician for installation.

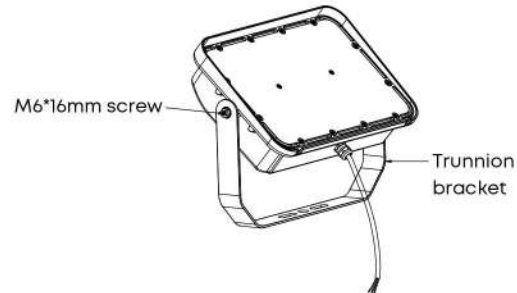


Figure-3 (Trunnion bracket)

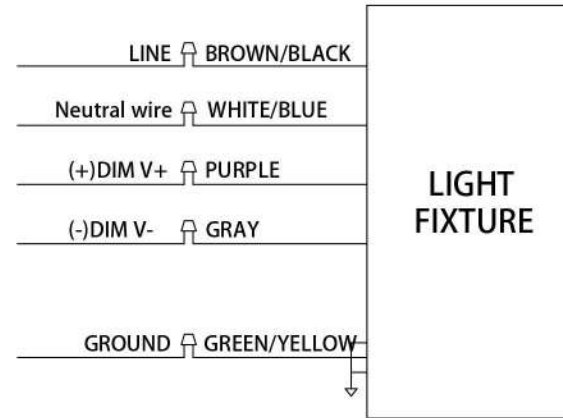


Figure-4 (Wiring diagram)

1. Adjust the color and power according to the following instructions. Loosen the switch waterproof cover. Default power Settings: on/off options. The default color temperature is 4000K (CCT).
2. Select the color temperature (CCT) to reach the desired value by sliding the CCT switch.
3. Select the desired power value by sliding Power on/off switch.
4. Reinstall the waterproof cover and tighten it.

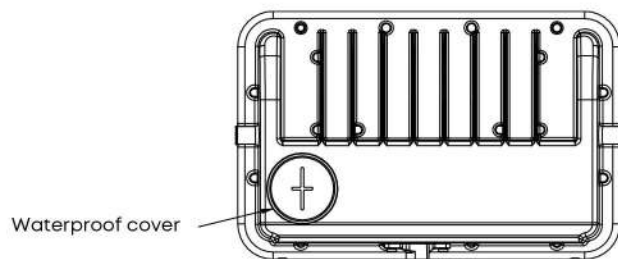


Figure-5 (CCT and power switch)

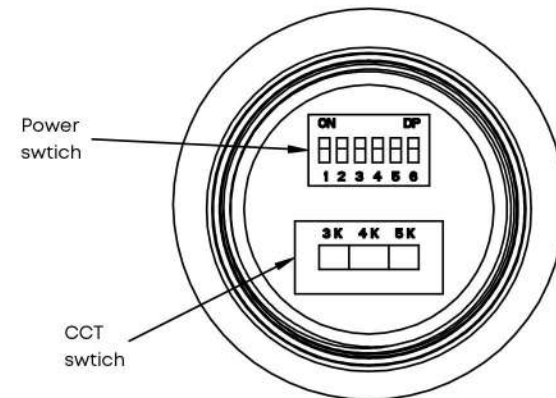


Figure-6 (CCT and power switch)

Installation Guide (70W-280W)

1. Connect the cable in the Slipfitter holder to the municipal wire, as shown in Figure-10.
2. Insert connecting input wires into a $\phi 60$ mm pole, then make the seals waterproof.
3. Insert the Slipfitter stand into the $\phi 60$ mm pole and tighten 4 of M8*25 screws.
4. Loosen the M16*50mm bolt and turn the lamp to adjust the required angle, aim vertically at the installation position as shown and tighten it.
5. Please find a professional electrician for installation.

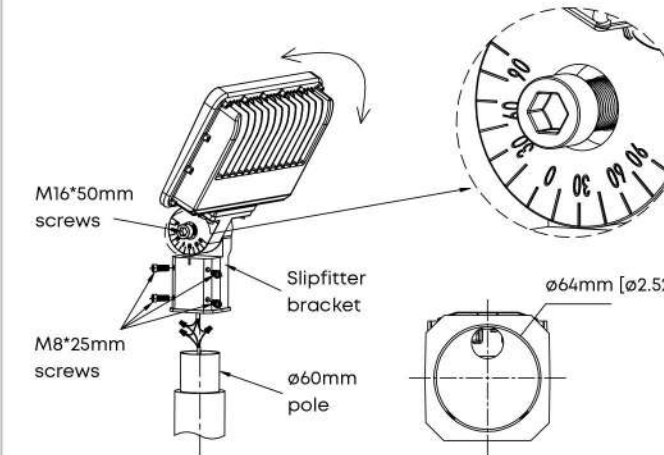


Figure-7 (Slipfitter bracket)

1. Loosen the Yoke bracket pivot bolt, rotate the jig to the required angle, and tighten the pivot bolt.
2. Fix the Yoke bracket on the wall or lamp, and tighten the securing bolts.
3. Connect the cable of lamp with the municipal wire, as shown in Figure-10, then make the seals waterproof.
4. Please find a professional electrician for installation.

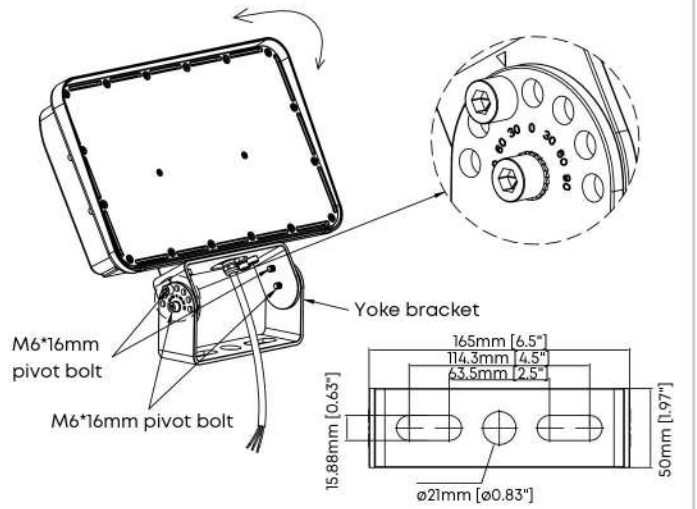


Figure-8 (Yoke bracket)

1. Adjust the color and power according to the following instructions. Loosen the switch waterproof cover. Default power Settings: on/off options. The default color temperature is 4000K (CCT).
2. Select the color temperature (CCT) to reach the desired value by sliding the CCT switch.
3. Select the desired power value by sliding Power on/off switch.
4. Reinstall the waterproof cover and tighten it.

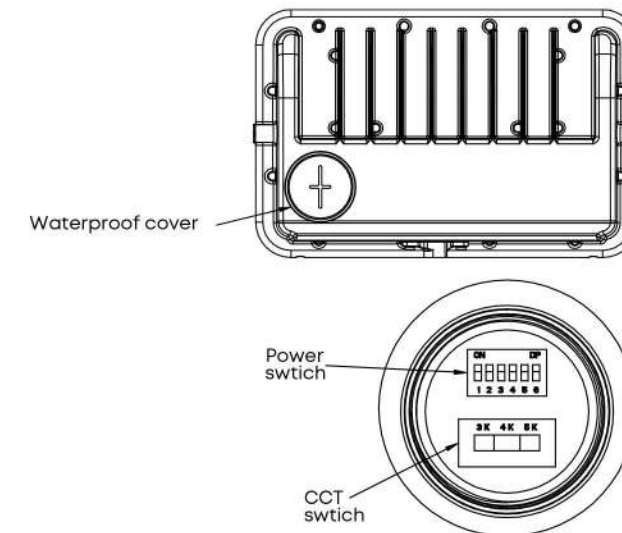


Figure-9 (CCT and power switch)

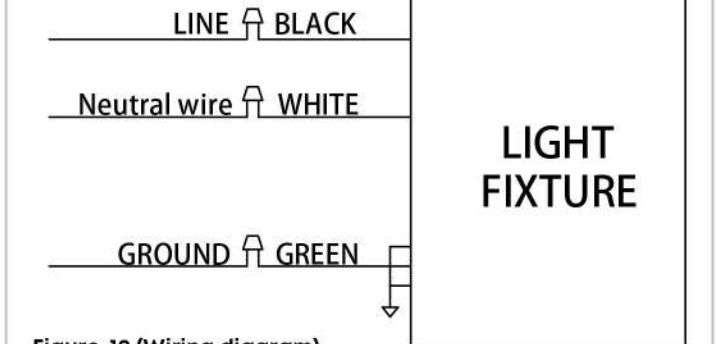


Figure-10 (Wiring diagram)

⚡ WARNING

- Before proceeding with installation or service maintenance of this product.
- Disconnect power to reduce electrical shock risk.
 - Review the entire Installation Guide.
 - Inspect this properly packaged product for any damage that may have occurred during transit.
 - Verify product application complies with manufacturer design recommendations.
 - Verify the availability of necessary tools and incidental material.
 - Verify applicable code requirements. Field assembly and installation are subject to acceptance by local inspection authority.
 - Appropriate safety equipment to be determined by end user, per applicable safety standards and precautions.

* This procedure is designed as an installation aid. Skilled tradespeople that are familiar with general construction and electrical installation techniques should perform the installation. Licensed electricians should provide electrical installation connections. Installations and connections should be done in accordance with all national and local codes and permits. In no way is this document intended to construe warranty or fitness of use of the products described, nor is it intended to provide safety instruction for those installing the product.

FLW-Wombat Series Specification Sheet

*Due to the constant improvements in product development, individual parameters might change. Please refer to our sales or R&D team for most up-to-date content as specifications are subject to change without notice.

wally@akledlight.com

+1 626-986-4050 (US)

+86 755 2357 9148 (CN)

@2021 AOK LED LIGHT CO., LTD. All Right Reserved.

