

# Parameter Table

## Electrical Data

Model	AOK-300WiSF	AOK-460WiSF	AOK-600WiSF	AOK-800WiSF	AOK-1200WiSF
Power(W)	300	460	600	800	1200
Input voltage	100-240V/400V/100-277V/277-480V, 50/60Hz (for 300W-600W); 180-528V, 50/60Hz (for 800W-1200W)				
THD	<20%				
PF	>0.90				
UGR	<22				
Control Option	DALI, 1-10V/PWM/Timer dimming, Nema, Zhaga/Presence detection sensor.				
Operating temperature	-40°C to 50°C (-40 °F to 122 °F)				
Driver brand	Meanwell/Inventronics				
Surge Protection	20kV available				

## Photometric Data

Efficacy(LM/W) (CRI 70Ra, 4000K)	15D	125LM/W	130LM/W	122LM/W	120LM/W	120LM/W
	20*30D	125LM/W	130LM/W	122LM/W	120LM/W	120LM/W
30D	135LM/W	140LM/W	132LM/W	130LM/W	130LM/W	130LM/W
Luminous flux (LM)	15D	37500LM	59800LM	73200LM	96000LM	144000LM
	20*30D	37500LM	59800LM	73200LM	96000LM	144000LM
	30D	40500LM	64400LM	79200LM	104000LM	156000LM
ULOR	= 0%, @ Luminaire inclination 0°					
CCT	2700K, 3000K, 4000K, 5000K, 5700K					
CRI	Ra70, Ra80, Ra90					
Beam angle	15D/20*30D/30D					
LED Manufacturer	Seoul					
LED model	Seoul 5050/Seoul Z5M4 3535					
Working current of single LED	15D(3535)	0.758A	0.698A	0.910A	1.055A	1.040A
	20*30D(3535)	0.758A	0.698A	0.910A	1.055A	1.040A
	30D(5050)	0.379A	0.349A	0.455A	0.528A	0.520A
Lens	Polycarbonate + Tempered Glass					

## Mechanical Data

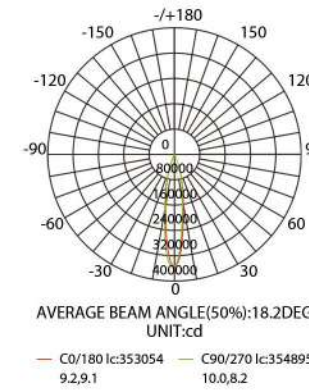
IP/IK	IP65/IK08, according to standard EN 60529 and EN 62262				
Vibration resistance	3G, conform to standard IEC 68-2-6.				
SCx(EPA Type-A)	Front: 1.16ft² (0.107767m²) Side: 1.815ft² (0.168619m²)		Front: 1.805ft² (0.16769m²) Side: 1.839ft² (0.170848m²)		
SCx(EPA Type-U)	Front: 1.216ft² (0.112970m²) Side: 1.726 ft²(0.160350m²)		Front: 2.035ft² (0.189057m²) Side: 1.745ft² (0.162115m²)		
Housing/Materials	Heavy-duty die-cast aluminum (EN AC-46100)				
Surface treatment	Anti-UV thermosetting polyester/80 micron epoxy primer + Anti-UV thermosetting polyester (for extremely corrosive environments).				
Painting	Black, Custom request				
Cable	Pre-wired with a 30 cm cable (Other lengths on request)				
Mounting	A=Top fixed, U=Yoke mount				

## Others

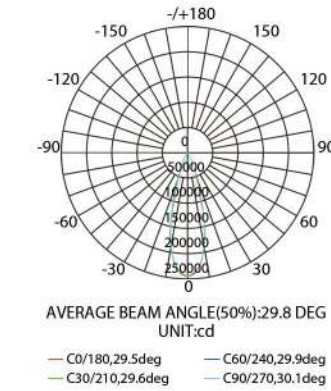
Lifespan	L90B10 > 52000h, @Ta 25°C					
Warranty	5 years (Warranty extension up to 10 years on request)					
Certification	UL/cUL/DLC/ROHS/CE/CB/TUV					
Product size	Type-A	1013*445.9*265.9mm	1013*445.9*265.9mm	1013*445.9*265.9mm	1021.2*684.9*258.5mm	1021.2*684.9*258.5mm
	Type-U	897*466.4*417.5mm	897*466.4*417.5mm	897*466.4*417.5mm	896*710.4*418mm	896*710.4*418mm
Net weight	Type-A	18.8kg	18.8kg	18.8kg	28.9kg	28.9kg
	Type-U	12.4kg	12.4kg	12.4kg	24.6kg	24.6kg
Carton size	Type-A	715*475*350mm	715*475*350mm	715*475*350mm	725*725*350mm	725*725*350mm
	Type-U	715*535*300mm	715*535*300mm	715*535*300mm	815*705*300mm	815*705*300mm
Gross weight	Type-A	21.8kg	21.8kg	21.8kg	32.9kg	32.9kg
	Type-U	15.4kg	15.4kg	15.4kg	28.6kg	28.6kg
Application	Suitable for stadium, sports field, port, railway station					

# Photometrics

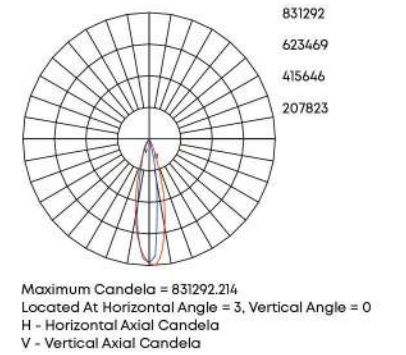
## 15D



## 30D



## 20\*30D



# Ordering Information

AOK-	WATTS	VOLTAGE	LED CHIPS	TYPE OF SENSOR	CCT&CRI	DISTRIBUTION	MOUNT	COLOR
300WiSF	NV1=100-277V	S5=Seoul 5050	00=Without Sensor	2770=2700K 70CRI	15=15D	A=Top fixed	BK=Black	
460WiSF	HV1=277-480V	S35=Seoul 3535	SN=Motion Sensor	3070=3000K 70CRI	30=30D	U=Yoke mount		
600WiSF	NV2=100-240V		PH=Photocell	4070=4000K 70CRI	2030=20*30D			
800WiSF	HV2=400V		DV=Dimmable	5070=5000K 70CRI				
1200WiSF	*HV3=180-528V			5770=5700K 70CRI				
				2780=2700K 80CRI				
				3080=3000K 80CRI				
				4080=4000K 80CRI				
				5080=5000K 80CRI				
				5780=5700K 80CRI				

\*HV3 is for 800W-1200W only, others for 300W-600W only

# Accessories

## Bracket Options



Type-A  
Top Fixed Installation



Type-U  
Yoke Mount

## ISF Series Specification Sheet

\*Due to the constant improvements in product development, individual parameters might change. Please refer to our sales or R&D team for most up-to-date content as specifications are subject to change without notice.

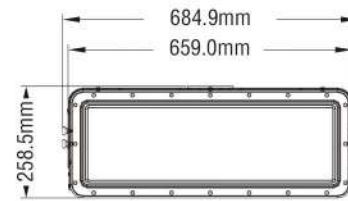
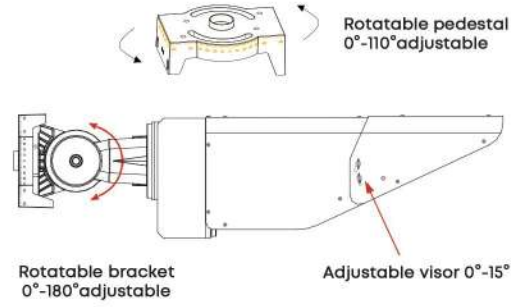
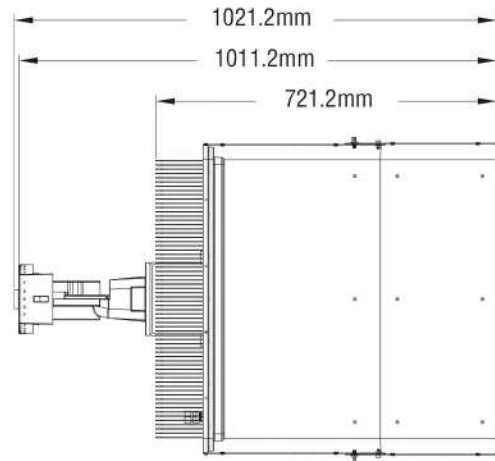
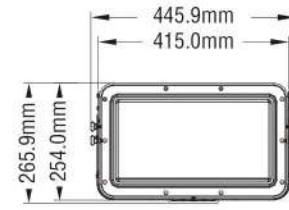
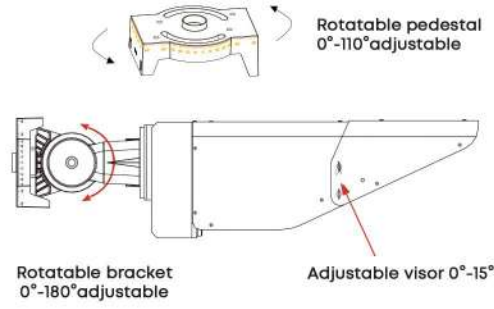
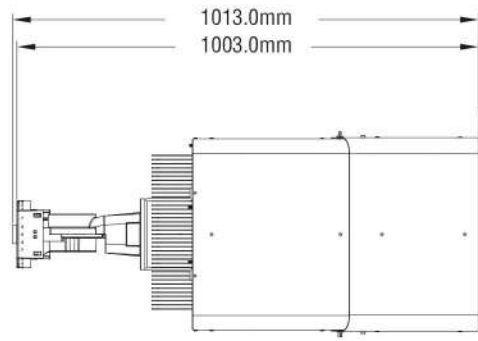
wally@ookledlight.com  
+1 626-986-4050 (US)  
+86 755 2357 9148 (CN)

@2021 AOK LED LIGHT CO., LTD. All Right Reserved.

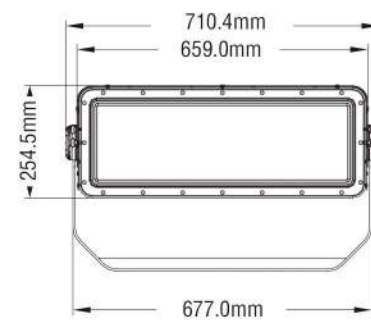
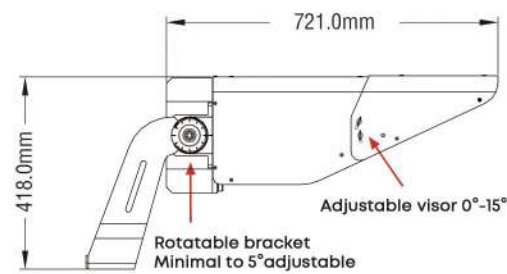
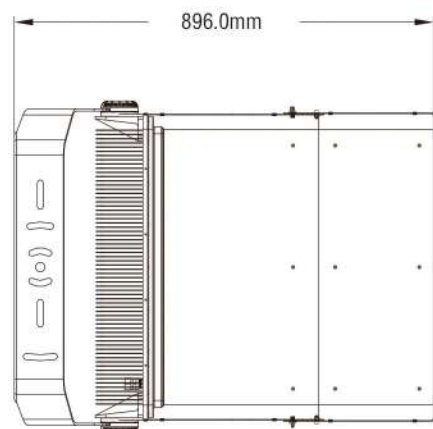
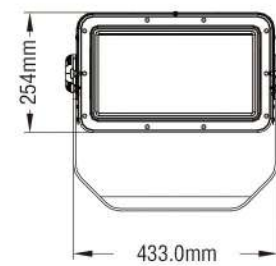
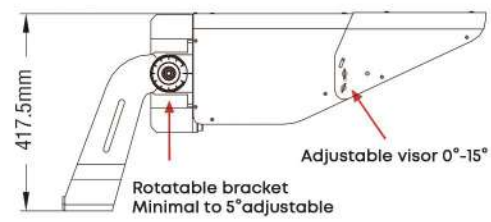
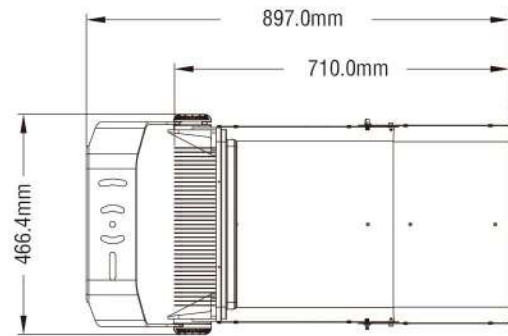


# Dimension

## TYPE-A: Top Fixed Installation



## TYPE-U: Mount Yoke



## ISF Series Specification Sheet

\*Due to the constant improvements in product development, individual parameters might change. Please refer to our sales or R&D team for most up-to-date content as specifications are subject to change without notice.

wally@aoledlight.com  
+1 626-986-4050 (US)  
+86 755 2357 9148 (CN)

@2021 AOK LED LIGHT CO., LTD. All Right Reserved.

